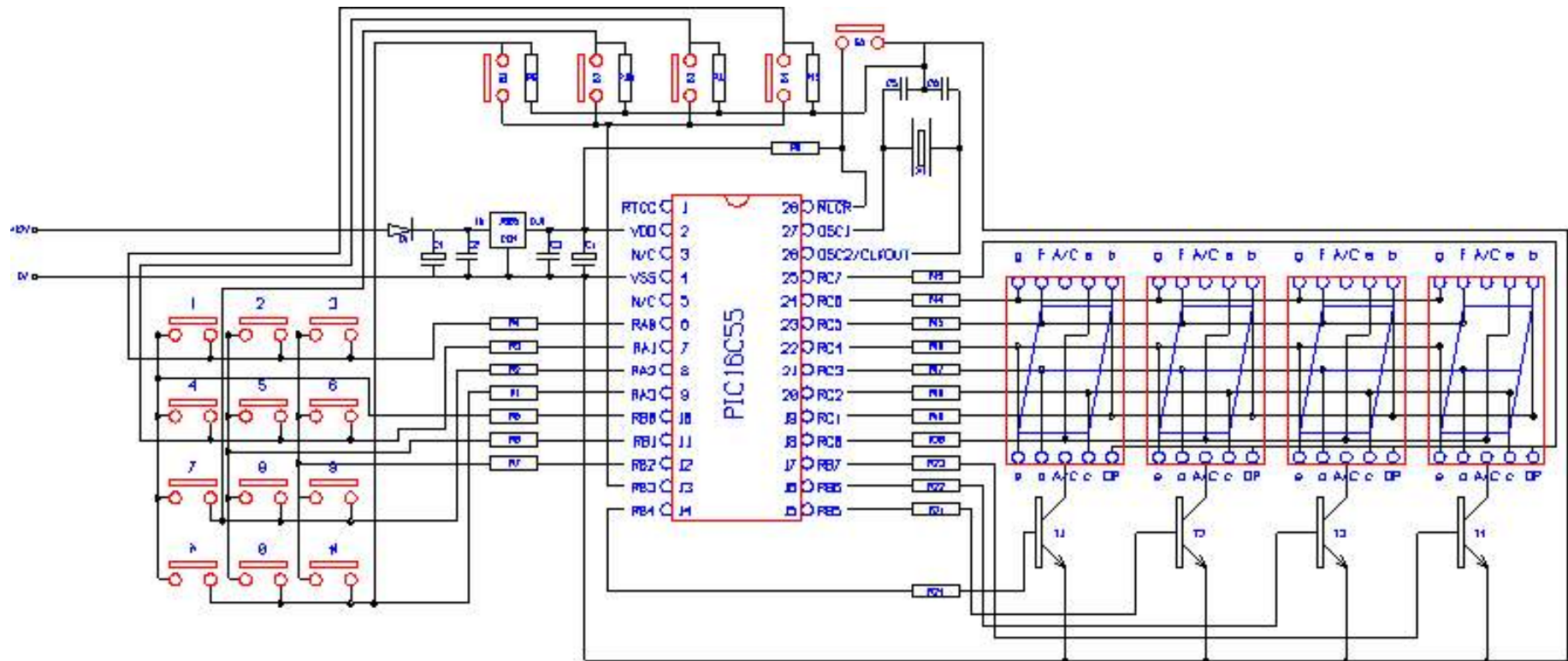


PIC Project Boards

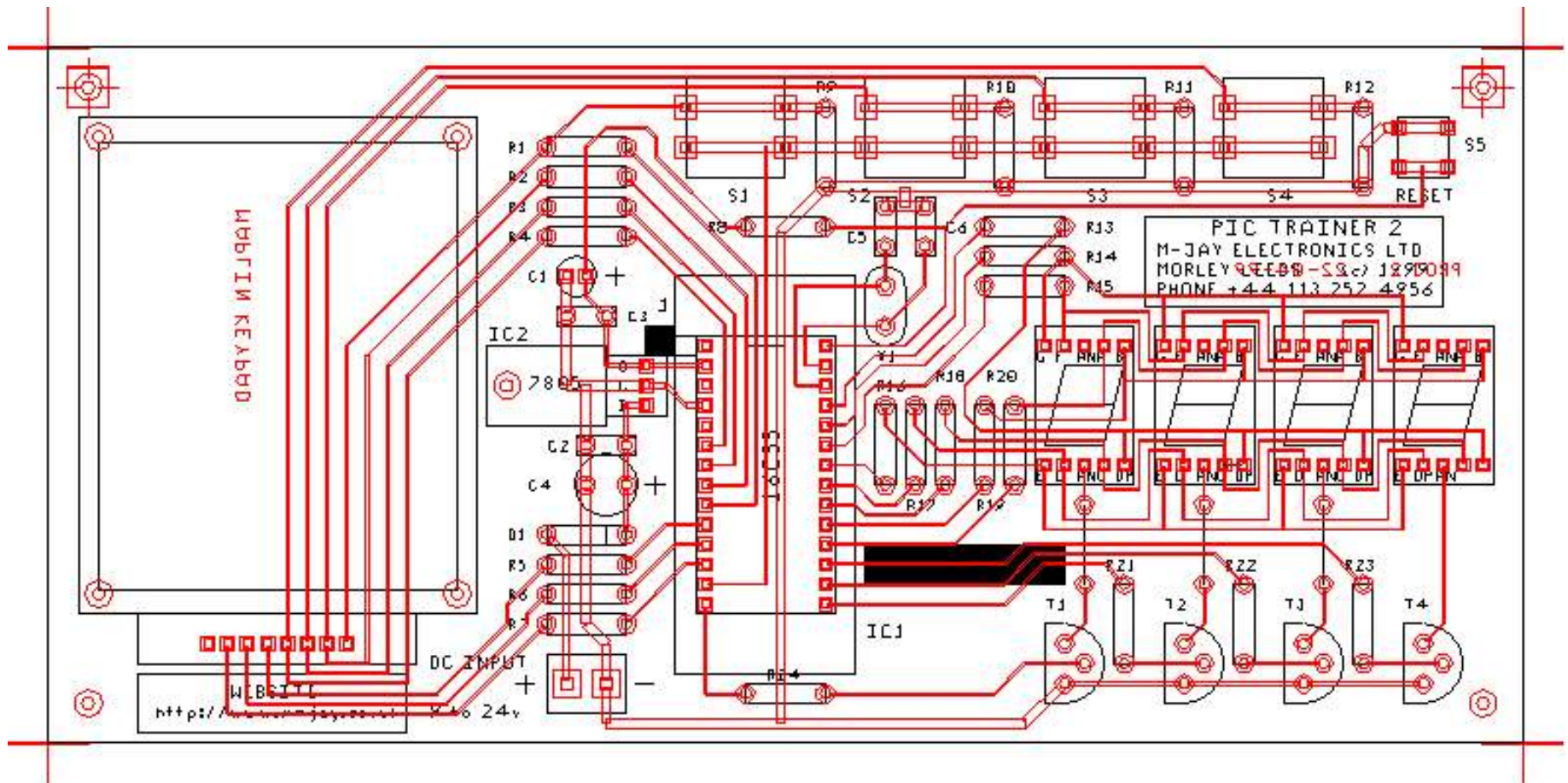
Project Board No. 2



THIS DRAWING AND ALL COPIES AND THE DESIGN AND THE DATA SHOWN
INCLUDE PROPRIETARY INFORMATION AND ARE THE PROPERTY OF
M. JAY ELECTRONICS LTD. THE BORROWER BY RECEIPT AND RETENTION
OF THIS DRAWING AGREES THAT, EXCEPT AS EXPRESSLY AUTHORIZED
IN WRITING BY M. JAY ELECTRONICS LTD. IT SHALL
NOT USE THE DRAWING OR ANY COPY OF OR THE DESIGN OR DATA
SHOWN.
SHALL NOT REPRODUCE, COPY, EXCEPT, LOAN, EXHIBIT OR DISTRIBUTE
THE DRAWING OR ANY COPY OR THE DESIGN OR DATA SHOWN FOR USE
BY OTHER THAN M. JAY ELECTRONICS LTD. AND
SHALL BEHOLD RETURN THE DRAWING, ALL COPIES AND ALL MATERIAL
CONTAINED THEREIN.

CLIENT PIC TRAINER 2
SUBJECT PROJECT 2
DRAWING No. 1 ISSUE
VSCHVPROJECT2 J
DATE 19-01-1999

© 1999
M. JAY ELECTRONICS LTD
ALBJOM MILLS
MORLEY LEEDS
LS27 9LY
PHONE 0113 252 4956
FAX 0113 252 5512



The Project Boards can be obtained from:

M-Jay Electronics Limited, Albion Mills, Church Street, Morley, Leeds. LS27 8LY.
 Phone +44(0) 113 252 4956, Fax +44(0) 113 252 5542 or [e-mail](mailto:sales@m-jay.co.uk) to sales@m-jay.co.uk

For information on how to program PICs you should read the book
["The Engineers Guide to Programming PICs by John Varley"](#)